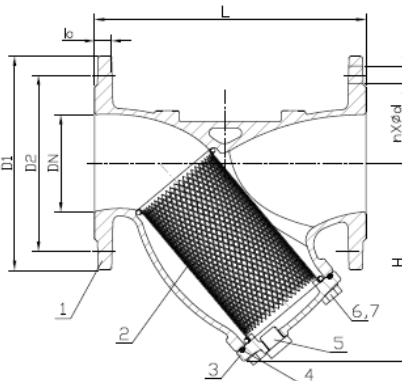


Dimensions in mm

Materials

Body	(1) Ductile Iron EN GJS 500-7
Screen	(2) Stainless Steel AISI 304
Bonnet	(3) Ductile Iron EN GJS 500-7
O-Ring	(4) Rubber NBR/EPDM
Plug	(5) Carbon Steel Commercial
Bolt	(6) Carbon Steel Commercial
Washer	(7) Carbon Steel Commercial



Dimension:

Unit: mm

DN	MODEL NO.	L	H	D1	D2	b	n-Ød	mesh (µm)
					PN16		PN16	
65	4 4111 71	22	164	185	145	19	4-Ø19	2,800
80	4 4111 72	240	180	200	160	19	8-Ø19	2,800
100	4 4111 73	280	204	220	180	19	8-Ø19	2,800
125	4 4111 74	345	268	250	210	19	8-Ø23	2,800
150	4 4111 75	395	332	285	240	19	8-Ø23	2,800
200	4 4111 76	500	396	340	295	20	12-Ø23	2,800
250	4 4111 77	542	450	405	355	22	12-Ø28	2,800
300	4 4111 78	650	525	460	410	24.5	12-Ø28	2,800

Specification

Temperature range : -10°C - 80°C
 Pressure rate : PN16
 Flange Dimensions : according to EN1092-2
 Coating : powder epoxy coated, painted blue RAL5000
 For hot and cold water systems for fluids excluding acid and flammable fluids.
 The use of ethylene or propylene glycol in a mixing ratio 25- 50% is allowed.

kvs values

DN	65	80	100	125	150	200	250	300
Kvs	70	114	197	271	349	449	994	1566

All specifications and information within this document are reflecting the information available at the time of going to print and meant for informational purpose only. Herz Armaturen reserves the right to modify and change products as well as its technical specifications and/or its function according to technological progress and requirements. All diagrams are indicative in nature and do not to be complete. It is understood that all images of Herz products are symbolic representations and therefore may visually differ from the actual product. Colours may differ due to printing technology used. In case of any further questions don't hesitate to contact your closest HERZ Branch-Office.